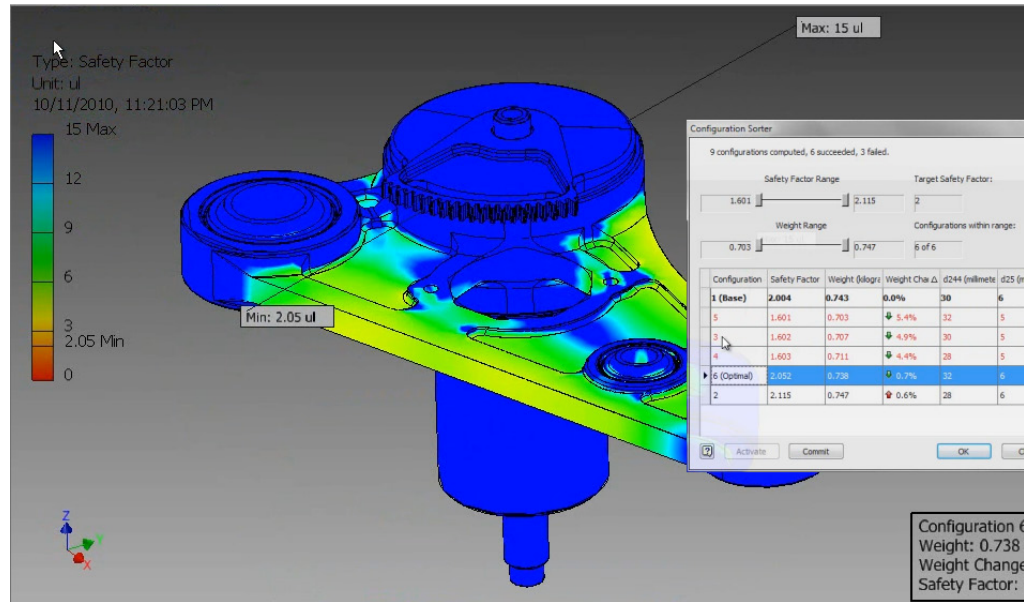


Autodesk® Inventor® optimization

Advance the Way You Work with Autodesk® Cloud

Autodesk® Cloud enables you to extend your desktop with computing capacity and capabilities, helping you design, visualize, and simulate your ideas to accelerate innovation and gain a competitive advantage.



Users can extend ideation and simulation beyond the desktop by testing the performance of multiple design options with the Inventor® optimization service, powered by Autodesk® Cloud. This advanced cloud-based feature enables customers to create higher-quality products and more suitable designs that lower costs and accelerate innovation.

Key Benefits:

- **Optimize designs with ease**—An intuitive interface allows for quick and easy simulation setup, so any Inventor user can reduce weight and material used while improving product quality and safety.
- **Work in parallel**—While the software is performing multiple simulations “behind the scenes” in the cloud, the designer or engineer can continue to do other work on their desktop. When the design optimization is complete, the technology preview’s job monitor automatically notifies the user through multiple communication channels.
- **Tap into unrivaled performance**—Offloading simulation to the cloud helps unleash the true power of simulation by enabling users to simulate many different design configurations in parallel, since they can access sufficient memory and the overall capacity required to perform simulations in less time.

Availability

Autodesk Inventor optimization is available to customers with an Autodesk® Subscription to*:

- Autodesk® Product Design Suite Premium
- Autodesk® Product Design Suite Ultimate

Getting Started

To get started with Autodesk Inventor optimization, sign into the Subscription Center (<http://autodesk.com/subscriptionlogin>) to download the update. Once you install the update, open an Inventor document, navigate to the environments tab and click on optimization to start using on the cloud.

* The availability of Autodesk Cloud services varies by language and region and may change over time. Please contact your Autodesk reseller or representative for more information. Cloud services are valid for the duration of the customer’s Subscription. All Autodesk Cloud benefits are subject to the terms and conditions accompanying the service.